



A Crane Co. Company



Coin changer currenza

Spare parts list
for service partners

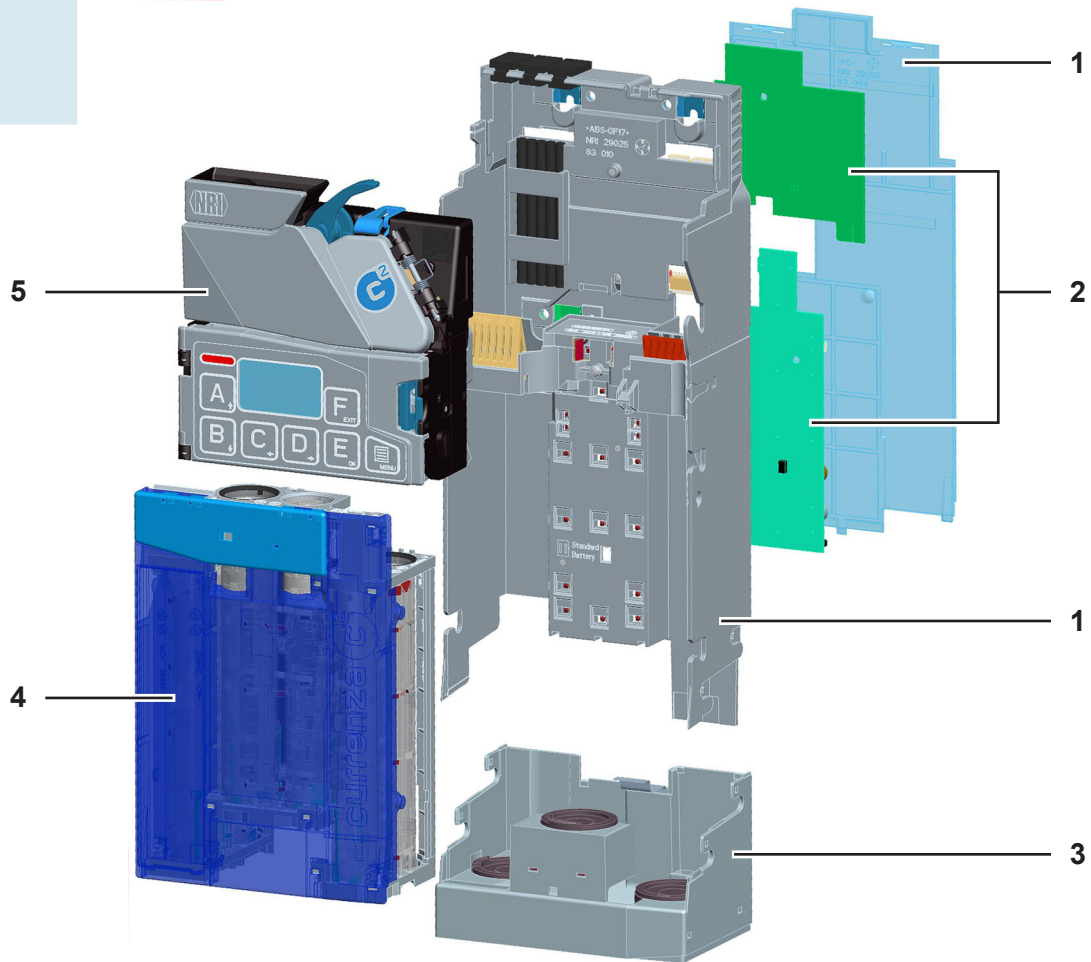
11.10 Goe/Schn/Roe/KQu
Version 1.3
EL.C2-EN



CRANE

National Rejectors, Inc. GmbH • Zum Fruchthof 6 • D-21614 Buxtehude
Phone: +49 (0) 41 61-729-0 • Fax: +49 (0) 41 61-729-115 • E-mail: info@nri24.com • Internet: www.nri24.com

Assembly overview

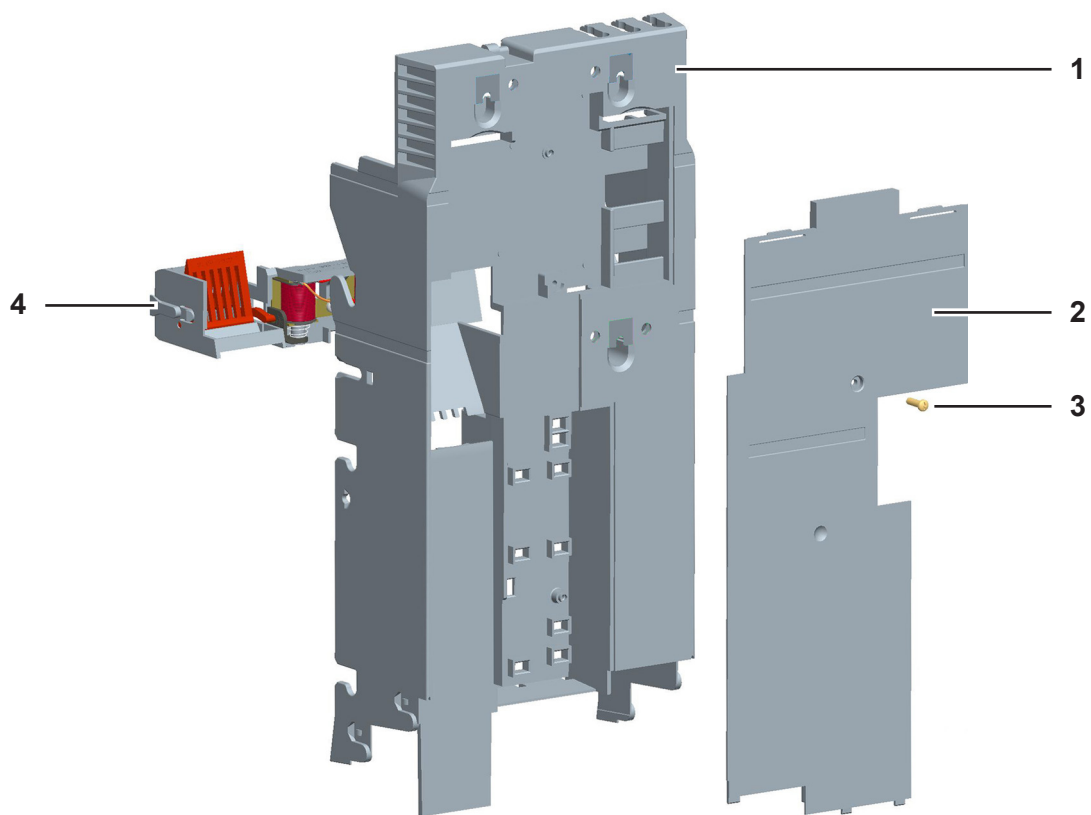


Pos. #	Assembly
1	Housing
2	Interface & audit modules
3	Payout module
4	Coin cassette
5	Coin validator

1 Table of contents

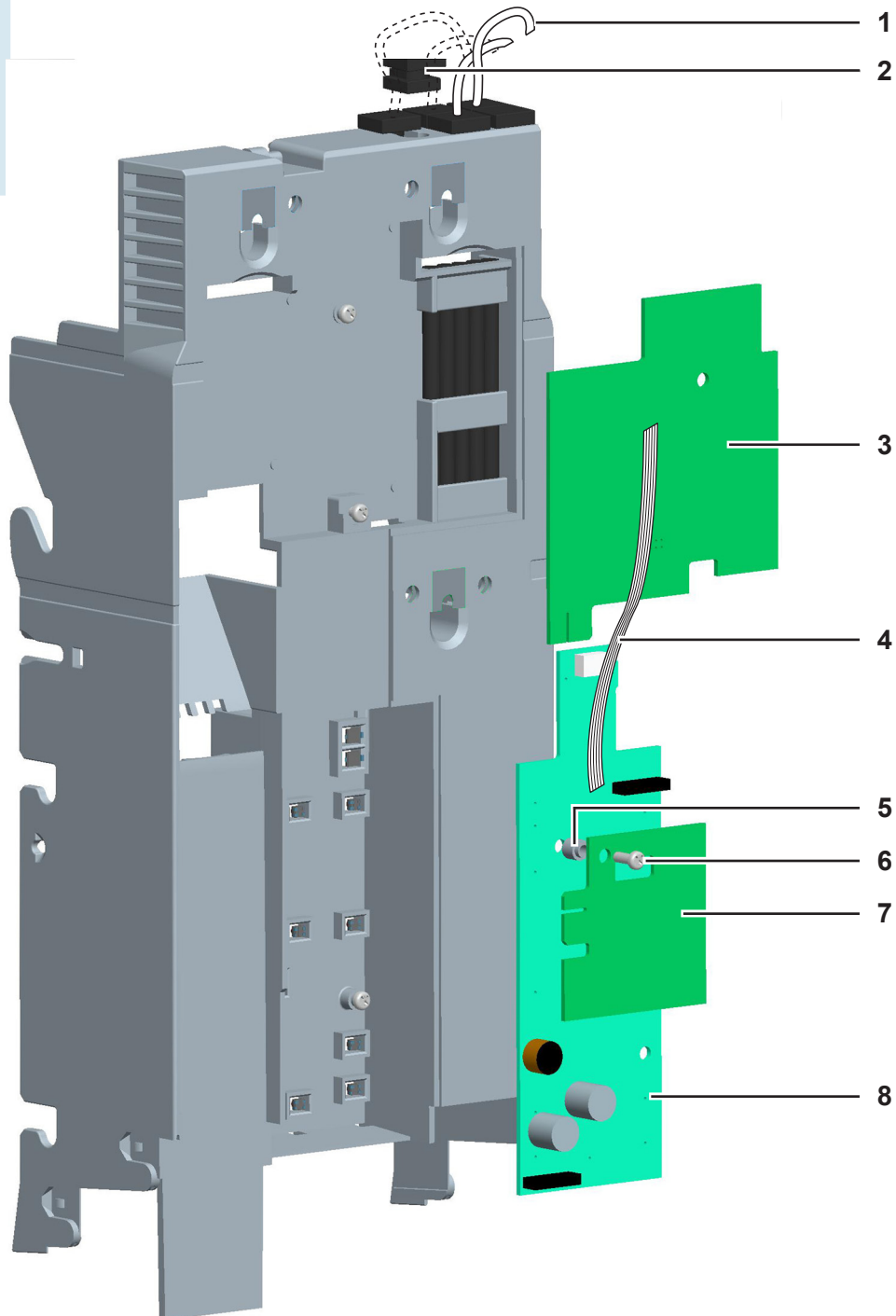
Assembly overview	2
1 Assembly – Housing	4
2 Assembly – Interface & audit modules	6
3 Assembly – Payout module	8
4 Assembly – Coin cassette	10
5 Assembly – Coin validator	12

2 Assembly – Housing



Item	Order no.	Part designation
1	29026	Housing
2	29258	Housing cover
3	1360	Oval cross-headed screw, self-tapping P3x8
4	29042	Bottom sorting module

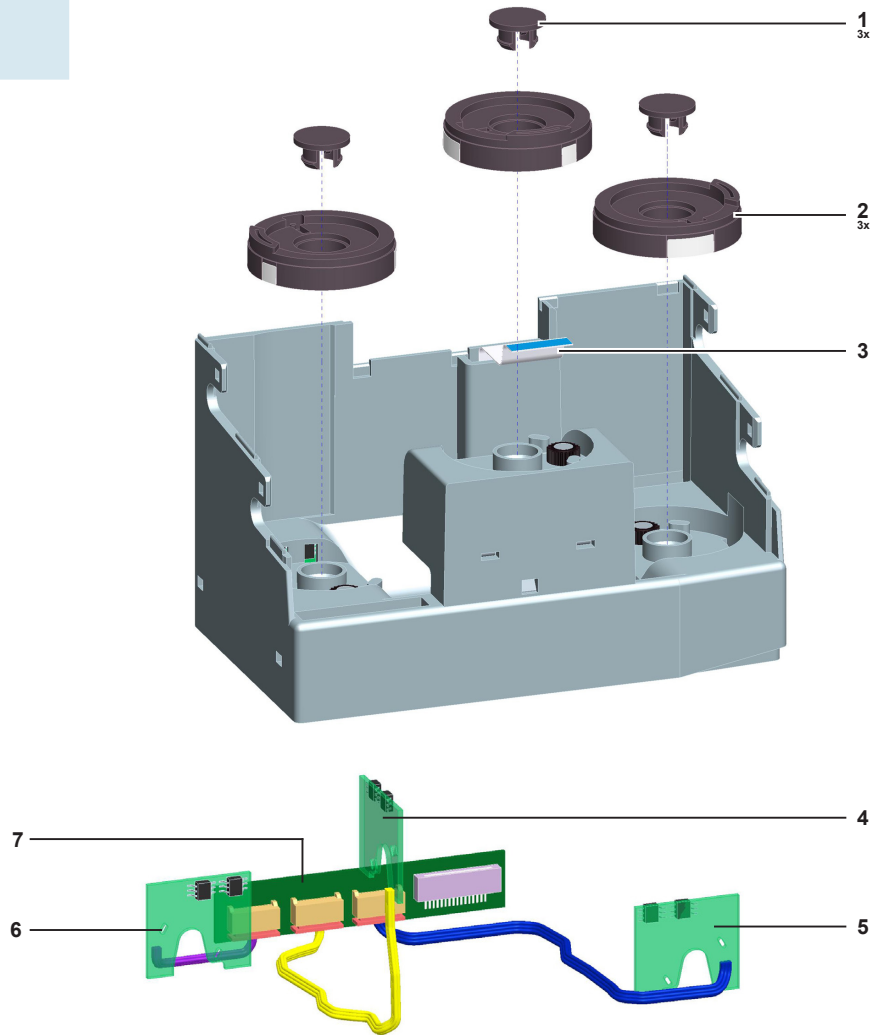
3 Assembly – Interface & audit modules



Item	Order no.	Part designation
1a	29278	Connecting cable – MDB
1b	30566	– MDB for USB
1c	29276	– BDV

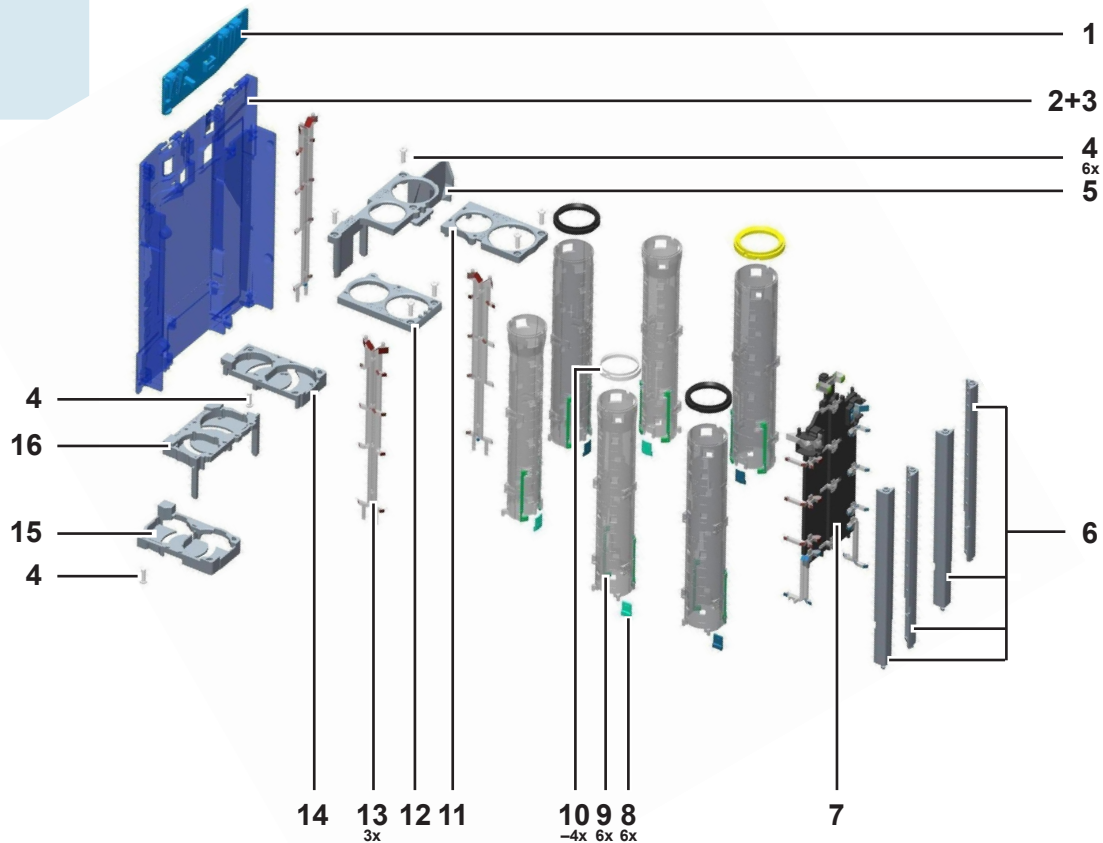
Item	Order no.	Part designation
1d	29275	Connecting cable – Executive
1e	30780	– VCCS
1f	30490	– DEX
1g	30491	– DEX/UCS VMC
1h	30501	– USB
1i	30498	– Power for USB
1j	30499	– RS-232
1k	32689	– GSM antenna for c ² airport
1l	31526	– ccTalk hopper
1m	29279	– Bill recycler
1n	29277	– MDB periphery
1o	30568	– USB MDB periphery
1p	29280	– Printer
1q	31218	– with infrared adapter
2	29027	Dummy plug / stopper
3a	32213	Audit unit – standard
3b	30887	– DEX/UCS
3c	30896	– Moisture-proof
3d	31657	– for c ² security
3e	33104	– for c ² airport
3f	32466	Interface module – USB
3g	32467	– USB/RS-232
3h	32469	– USB/RS-232 with audit unit
4	29819	Connecting cable Interface module – audit unit (14-pole jumper flex)
5	31840	Washer 4.3 x 7.0 x 2.3
6	31839	Screw RF-SN65 3x12
7	32328	Interface for ccTalk hopper
8a	32695	Interface module – MDB
8b	30891	– MDB, moisture-proof
8c	32697	– MDB for c ² security
8d	32694	– MDB battery
8e	30892	– MDB battery, moisture-proof
8f	32259	– MDB battery for c ² silver
8g	32693	– Executive/BDV/MDB
8h	31100	– Executive/BDV/MDB, moisture-proof
8i	32696	– Executive/BDV/MDB for c ² security
8j	32699	– Executive/BDV/MDB/ccTalk hopper
8k	32698	– VCCS/MDB

4 Assembly – Payout module



Item	Order no.	Part designation
1	28756	Locking for payout disc
2a	30615	Payout disc – standard (for tubes with i.d. = 17–30mm)
2b	32040	– for tubes with i.d. = 33 mm
3	29821	16-pole Flex Jumper
	31703	Payout module cpl. – for tubes with i.d. = 17–30mm (standard)
	32041	– for tubes with i.d. = 33mm
4	31084	Motor connecting plate (middle)
5	31604	Motor connecting plate (left)
6	31085	Motor connecting plate (right)
7	31083	Payout module mainboard

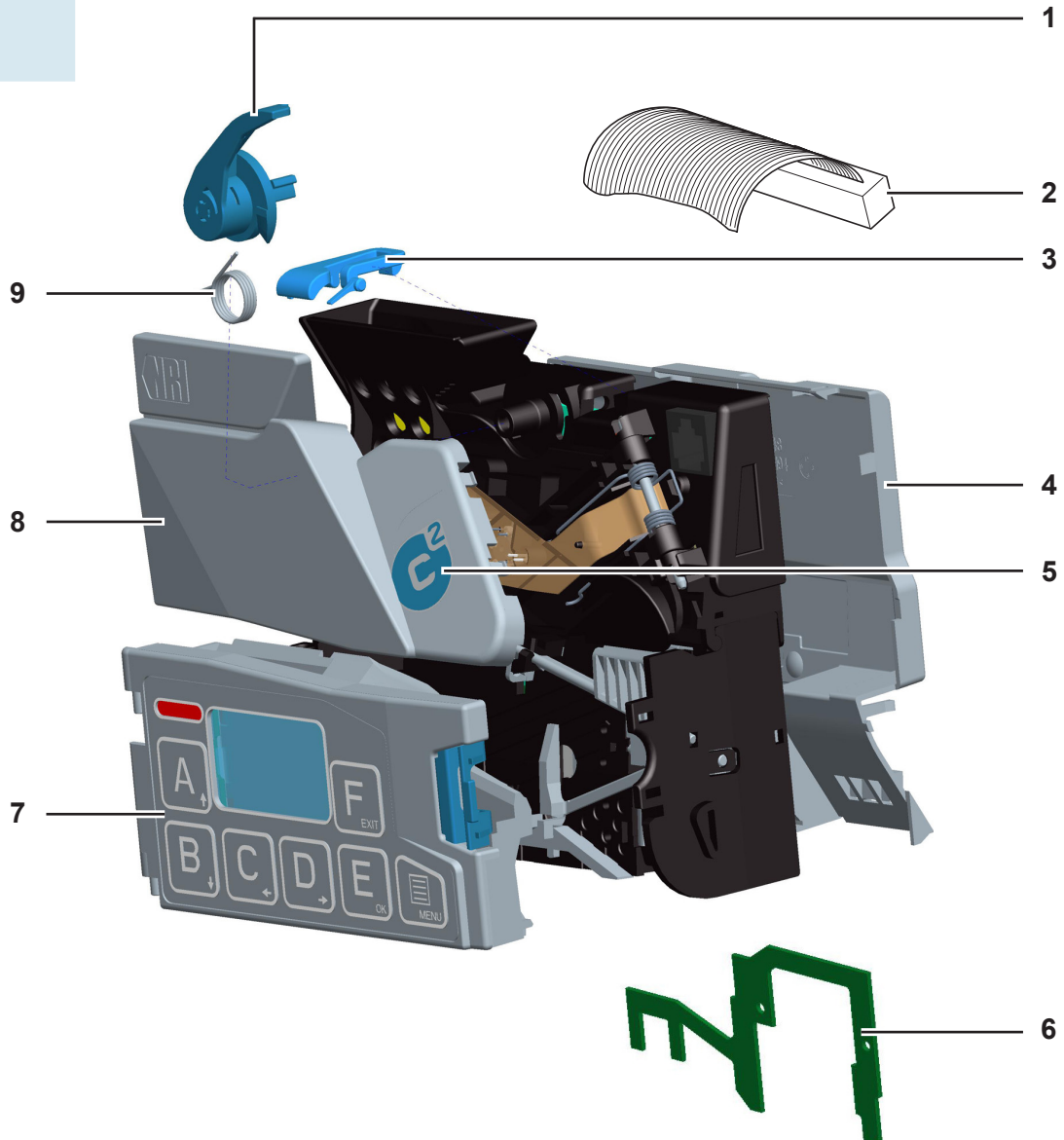
5 Assembly – Coin cassette



Item	Order no.	Part designation
1	29403	Cassette latch
2	-	Main part
1+2	30090	Main part incl. cassette latch
3	30444	Label for payout combination, blank (not illustrated)
4	1375	Oval cross-headed screw, self-tapping P3x10
5	29406	Tube support, top, for tubes C & D
6a	29410	Pillar for tube support – standard
6b	31816	– with magnet for c ² security

Item	Order no.	Part designation
7a	31554	Light transmitter – standard (with tube full sensor)
7b	31553	– with 4-level sensor system
8a	29411	Size acceptance limiter for maximum coin thickness – 1.5mm
8b	29412	– 2.0mm
8c	29413	– 2.5mm
8d	29414	– 3.0mm
8e	29415	– 3.7mm
9a	29663	Change tube with i.d. of – 17.0mm
9b	29665	– 18.0mm
9c	29666	– 19.5mm
9d	29667	– 21.0mm
9e	29668	– 22.5mm
9f	29669	– 24.0mm
9g	29671	– 25.5mm
9h	29672	– 27.5mm
9i	29673	– 30.0mm
9j	29674	– 33.0mm
10a	29422	Ring to adapt the tube i.d. from – 25.5 to 27.5mm
10b	29421	– 25.5 to 30mm
10c	29418	– 25.5 to 33mm
10d	29420	– 27.5 to 30mm
10e	29417	– 27.5 to 33mm
10f	29416	– 30 to 33mm
11	29404	Tube support, top, for tubes A & B
12	29408	Tube support, top, for tubes E & F
13	29695	Light collector
14	-	Tube support, bottom, for tubes A & B
15	-	Tube support, bottom, for tubes E & F
16	-	Tube support, bottom, for tubes C & D
1, 2, 4, 14–16	33719	Main part incl. cassette latch with bottom tube supports pre-assembled
1–16		Coin cassette cpl., order no. depends on payout combination. Please contact our sales staff.

6 Assembly – Coin validator



Item	Order no.	Part designation
1	29151	Coin return lever
2	30510	Connecting cable, coin validator – interface module
3	29154	Latch
4a	29194	Rear cover – standard
4b	31819	– with magnet for c ² security
5a	30728	c ² label – blue
5b	30729	– green
5c	30730	– white
5d	30731	– orange
5e	32171	– silver
6	33936	Optical sensor board CP 3/4
7a	30082	Sorter cover / user interface – blue
7b	30442	– blue & IrDA
7c	30932	– blue, moisture-proof
7d	30983	– blue & IrDA, moisture-proof
7e	30081	– green
7f	31686	– green & IrDA
7g	30992	– green, moisture-proof
7h	30080	– white
7i	30437	– orange
7j	30915	– orange, moisture-proof
7k	32338	– silver
8	29157	Cover for flight deck
9	29152	Spring for coin return lever

**ATTENTION!**

Integrated and same emerging Springs may differ in component dependent assembly. ECV may not function proper, in case of wrong assembling of springs.

To assure the ECVs functionality, take care of proper reinstallation of spring components.

1–8 Coin validator cpl., order no. depends on currency/coin acceptance. Please contact our sales staff.



When ordering spare parts, always indicate the complete model number of your device and the correct order number and designation of the spare part you require.

In addition, please observe the following:

This spare parts list corresponds to the NRI development status at the time of publication. NRI is not obliged to announce further developments or modifications or carry out similar modifications on already delivered devices. NRI reserves the right to stop the manufacturing of devices at its own discretion.

Availability of spare parts: max. 5 years after the model has been discontinued.